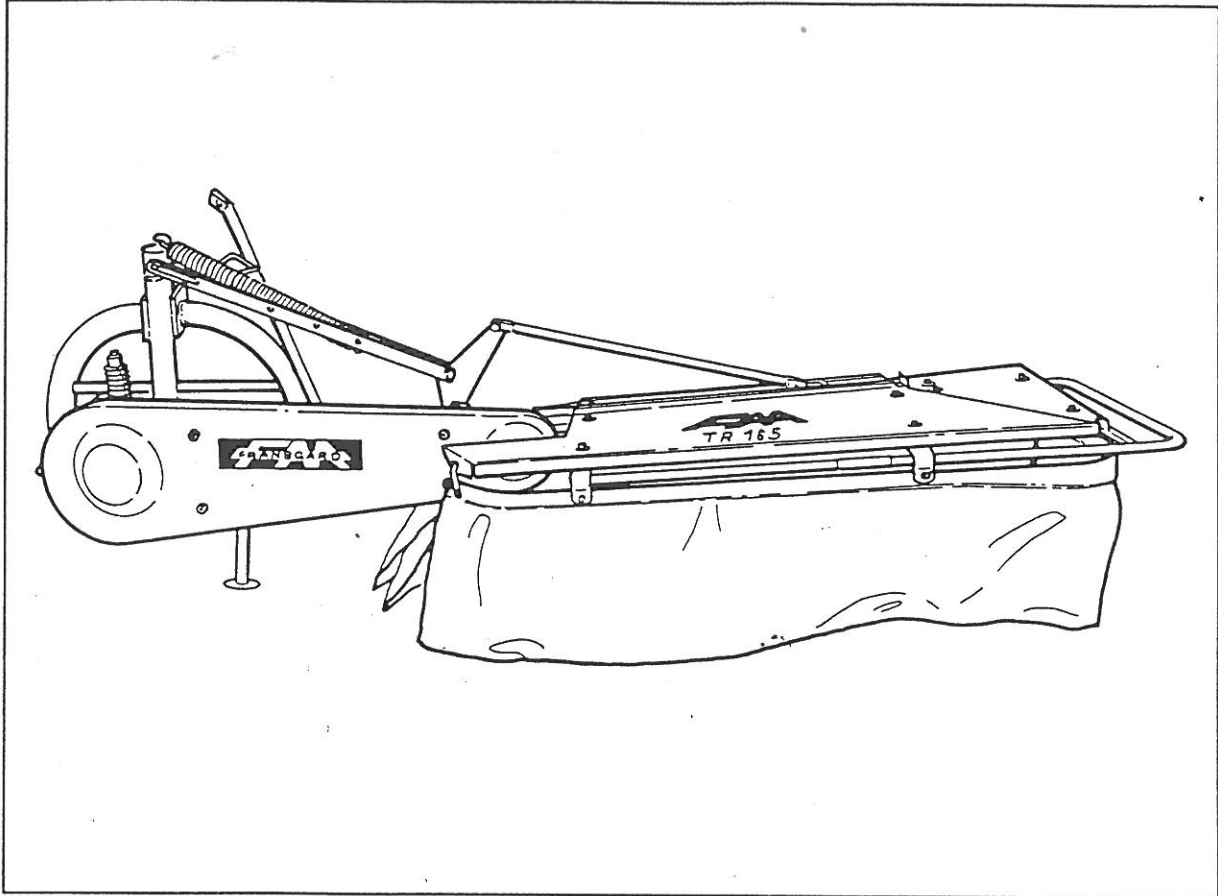




RESERVDELSBOK



ROTORSLÅMASKINE
DRUM MOWER

TR-165

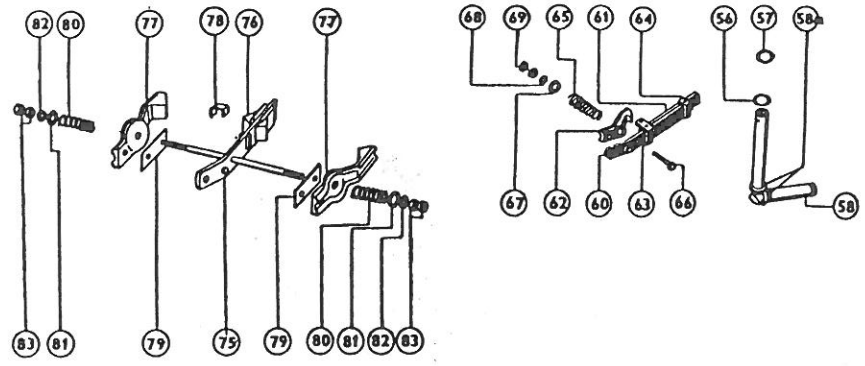
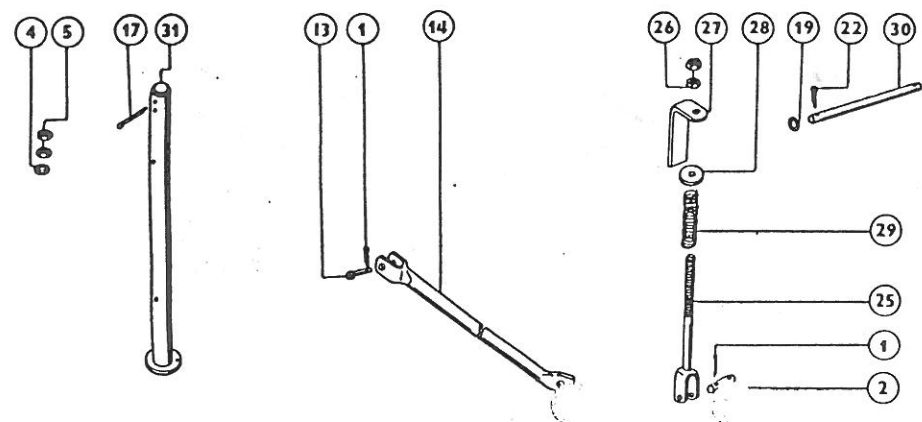
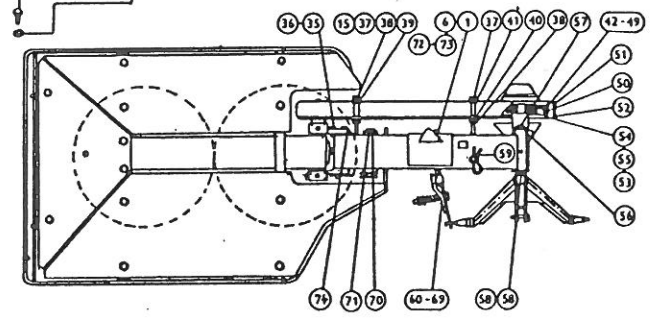
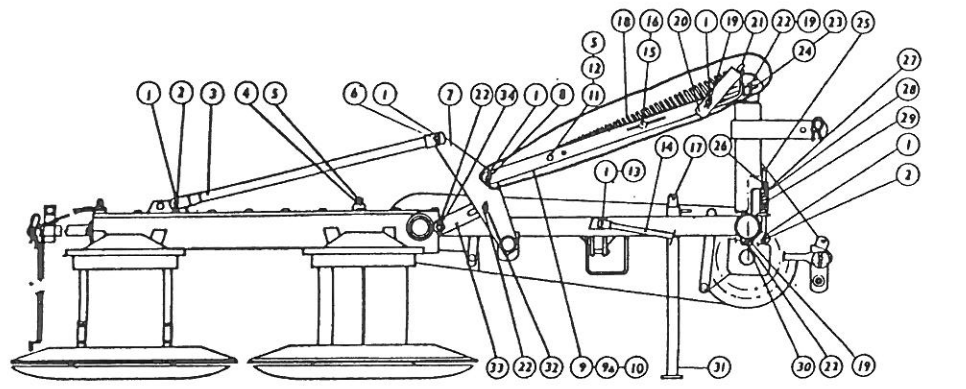
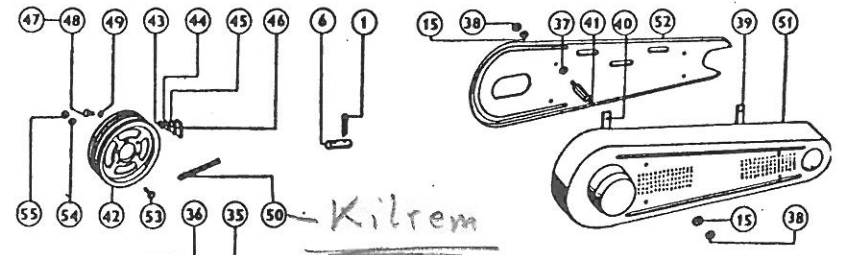
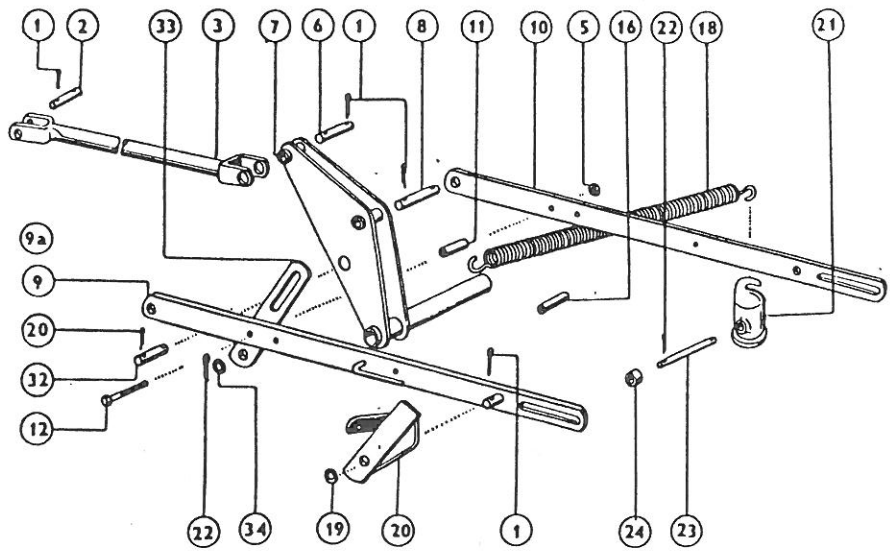
Återförsäljare:

Generalagent:

Närlant
IMPORT AB

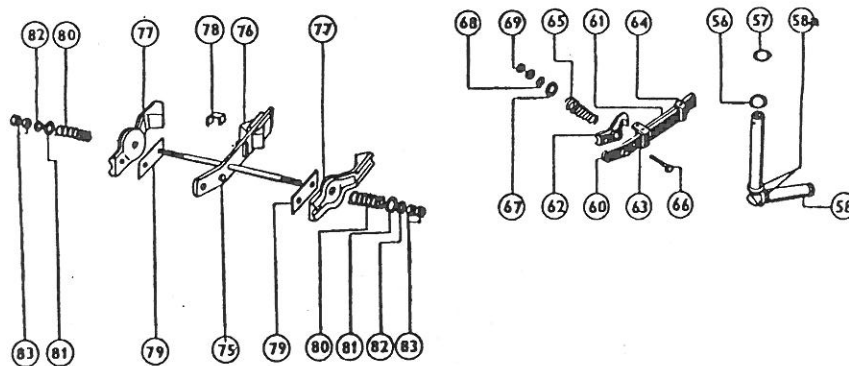
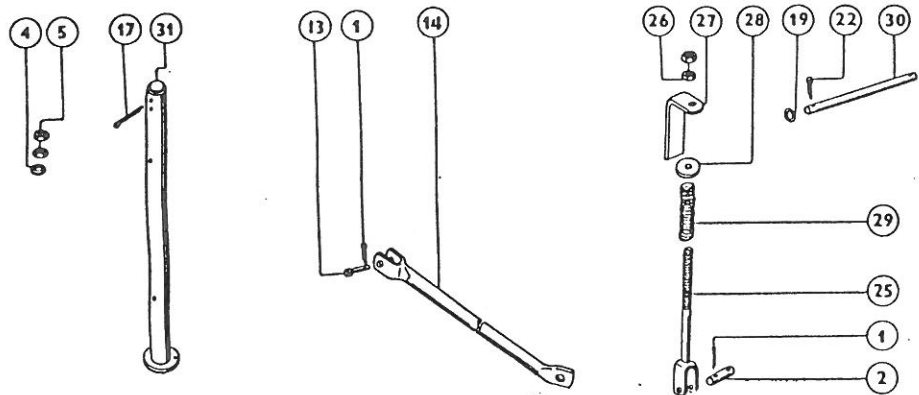
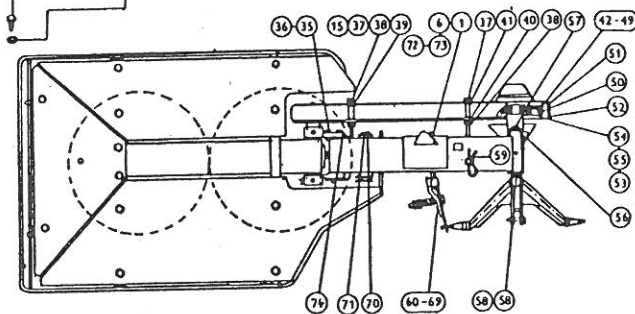
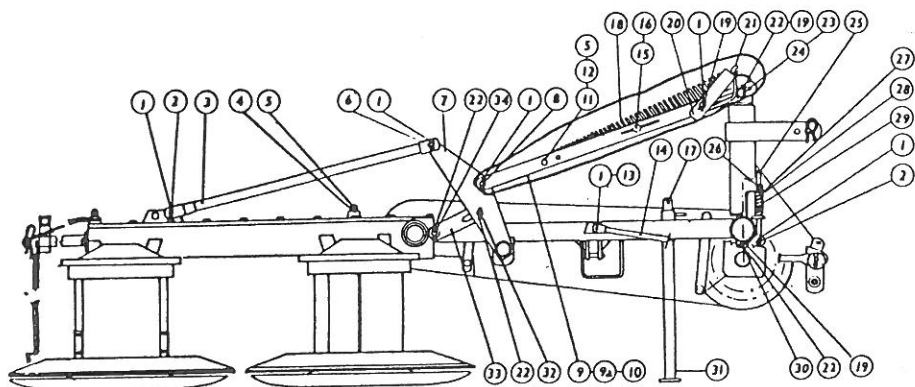
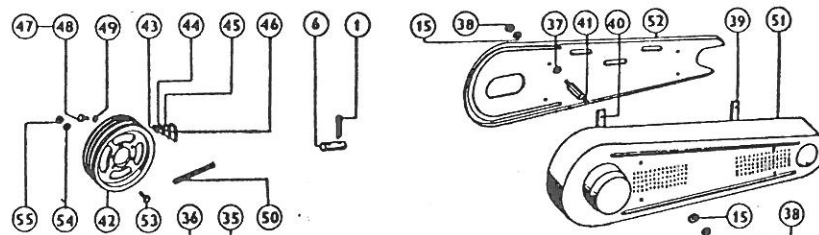
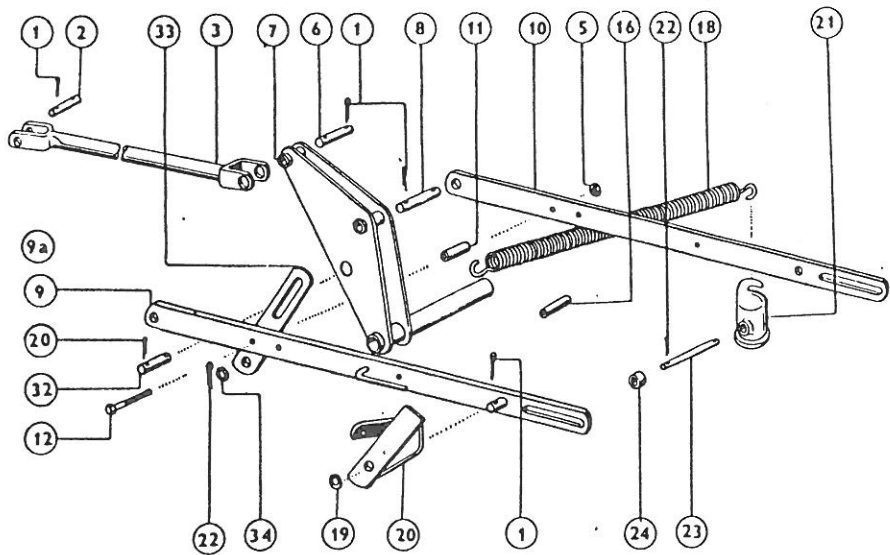
Filarevägen 8, 703 75 ÖREBRO
Tel. 019 - 31 40 90 Fax 019 - 31 20 96
Säljkontor Uppsala 018 - 37 50 07

Rätten till ändringar utan föregående meddelande förbehålles.



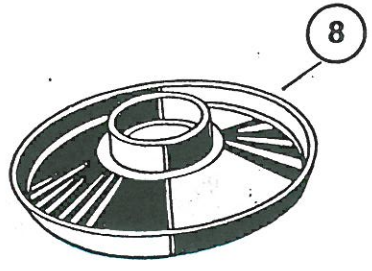
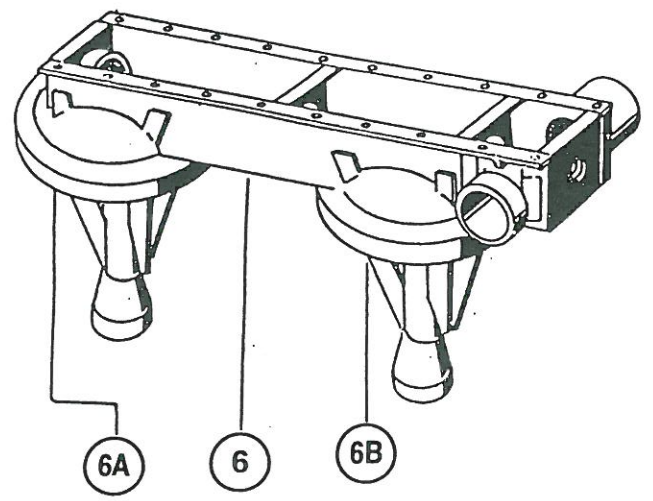
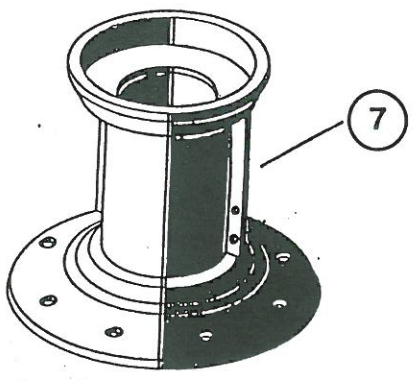
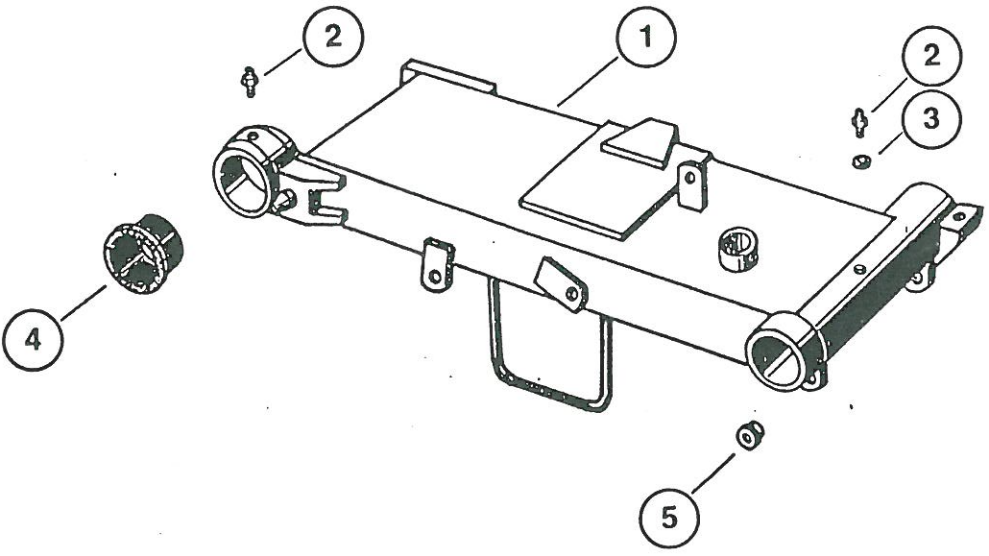
A

Pos.no. Pos.nr.	Part no. Varenr.	Pcs. Antal	Beskrivelse	Description	Remarks Bemærkninger
1	311318104025	12	Split	Split pin	4 x 25
2	532093108062	2	Aksel	Pin	16 x 45 x 34
3	532950363912	1	Rør	Pull rod	
4	311212701110	4	Skive	Washer	11
5	311150100100	11	Møtrik	Nut	FZB M10
6	532093108092	1	Aksel	Pin	16 x 70 x 59
7	532950360562	1	Holder	Holder for lifting	
8	532093108102	1	Aksel	Pin	16 x 85 x 72
9	532950364032	1	Stang	Pull rod assembly	
9A	532059320262	1	Stang	Pull rod	
10	532113321172	1	Stang	Pull rod	
11	532095202632	1	Nagle	Spacing tube	
12	309501001040	2	Bolt	Bolt	M10 x 90
13	532093108072	1	Split	Pin	16 x 59 x 45
14	532950364052	1	Transportbeslag	Transport strutt	
15	311214011102	9	Skive	Washer	10
16	532095207672	1	Afstandsør	Spacing tube	
17	311318108050	2	Split	Split pin	8 x 50
18	532097462212	1	Spændstift	Tension spring	
19	311212100180	5	Skive	Washer	18
20	532950360792	1	Split	Lock	
21	532049530122	1	Krog	Hook	
22	311318105028	7	Split	Split pin	5 x 28
23	532093101002	1	Split for krog	Hook pin	
24	532095202692	1	Trisse	Pulley	
25	532990160032	1	Spændskrue	Tightning screw	
26	311120100160	2	Møtrik	Nut	M16
27	532014401012	1	Fjederstop	Spring stop	
28	532029470232	1	Fjederskive	Spring disk	
29	315114513750	1	Fjeder	Spring	10
30	532093101052	1	Hængselsplit	Hinge pin	
31	532950365362	1	Afstiver	Strut	
32	532093108122	1	Split	Pin	20 x 63 x 47
33	532059320092	1	Beslag	Pull rod of the stop	
34	311212101220	1	Skive	Washer	22
35	311214000163	2	Skive	Washer	16
36	309503001624	2	Bolt	Bolt	M16 x 40
37	532092202042	8	Skærbolt	Cover washer	
38	311100100100	8	Møtrik	Nut	M10
39	532092301502	1	Stiver	Brace I	
40	532092301492	1	Stiver	Brace	
41	532069160072	4	Bolt	Bolt	
42	532933250022	1	Trisse	Pulley	
43	532092302682	1	Vægt	Weight	
44	532092302692	1	Vægt	Weight	
45	532092302702	1	Vægt	Weight	
46	532092302712	1	Vægt	Weight	
47	309003140614	1	Bolt	Bolt	M6 x 16
48	309003000615	1	Bolt	Bolt	M6 x 18
49	311214011061	2	Skive	Washer	6
50	21002	4	Kilerem	V-belt	SPA 2982
51	21003	1	Frontskærm	Front guard assembly	
52	532019400642	1	Bagskærm	Rear guard	



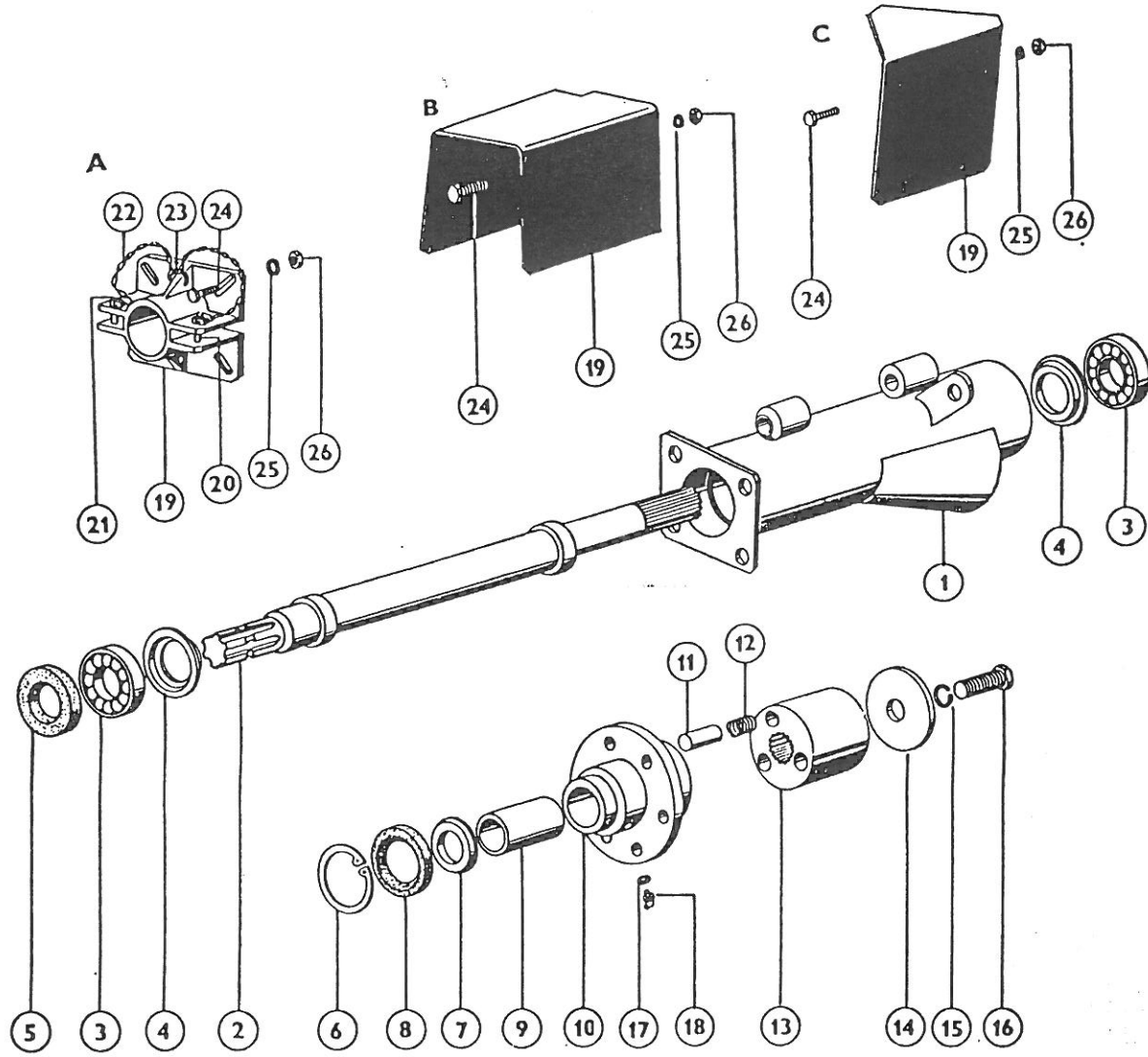
A

Pos.no. Pos.nr.	Part no. Varenr.	Pcs. Antal	Beskrivelse	Description	Remarks Bemærkninger
53	309201001026	6	Bolt	Bolt	M10 x 45
54	311210201105	6	Skive	Washer	10½
55	311120100100	12	Møtrik	Nut	M10
56	532192203802	1	Trykring	Thrust ring	
57	311733000600	1	Holdering	Retaining ring	60
58	532950360582	1	Rotationslange	Rotation tube	
58A	532092202022	2	Trykring	Thrust ring	
59	315836011350	1	Afstiver, sikr.element	Strut security element	
60	532950360782	1	Holder for påkørselssikr.	Holder of security elem.	
61	532950360862	1	Sikkerhedselement II	Safety element II	
62	532069520152	1	Sikringselement	Safety element	
63	532014411762	1	Bærestykke II	Yoke II	
64	532014411752	1	Bærestykke I	Yoke I	
65	315114513280	1	Fjeder	Spring	11,2
66	309101001660	1	Bolt	Bolt	M16 x 190
67	532092201452	1	Skive	Washer	
68	311212100180	1	Skive	Washer	18
69	311120300160	2	Møtrik	Nut	M16
70	532092202782	1	Skive	Washer	
71	311318108063	1	Split	Split pin	8 x 63
72	532093108092	1	Split	Pin	16 x 70 x 59
73	311318104025	2	Split	Split pin	4 x 25
74	532015600222	1	Stop	Stop	
75	532927501092	1	Holder	Holder assembly	
76	532937500092	1	Sikringselement II	Safety element II	
77	532137501062	2	Sikringselement	Safety element	
78	532114411132	4	Bærestykke	Yoke	
79	532192301642	2	Skive	Washer	
80	315114513280	2	Fjeder	Spring	11,2
81	532092201452	2	Skive	Washer	
82	311212100180	2	Skive	Washer	18
83	311120300160	4	Møtrik	Nut	M16



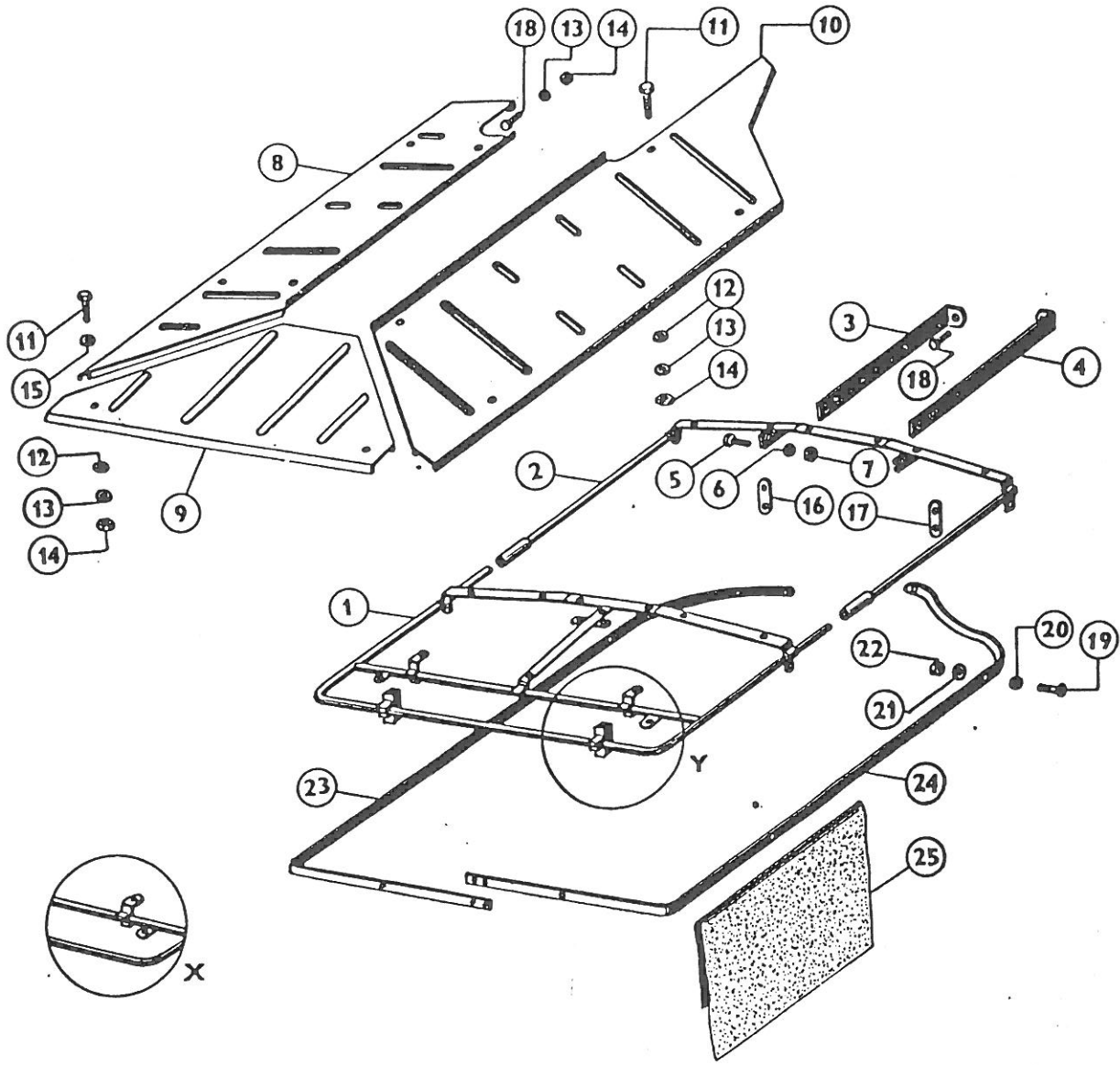
B

Pos.no.	Part no.	Pcs.	Description	Description	Remarks
Pos.nr.	Varenr.	Antal	Beskrivelse		Bemærkninger
	532950471352	1	Ramme	Frame	
1	532950471211	1	Del af ramme	Part of frame	
2	425111101369	2	Nippel	Head	KM 10 x 1
3	722923110000	1	Pakningsring	Sealing ring	10 x 14
4	321347130030	1	Bøsning	Casing II	
5	532139261162	1	Bøsning	Casing	
6	532013420922	1	Ramme	Case	
6A	532019470102	1	Rotorhus	Drum lid II	
6B	532019470092	1	Rotorhus	Drum lid III	
7	532950371412	2	Rotor	Drum	
8	532985470062	2	Skive	Disk	



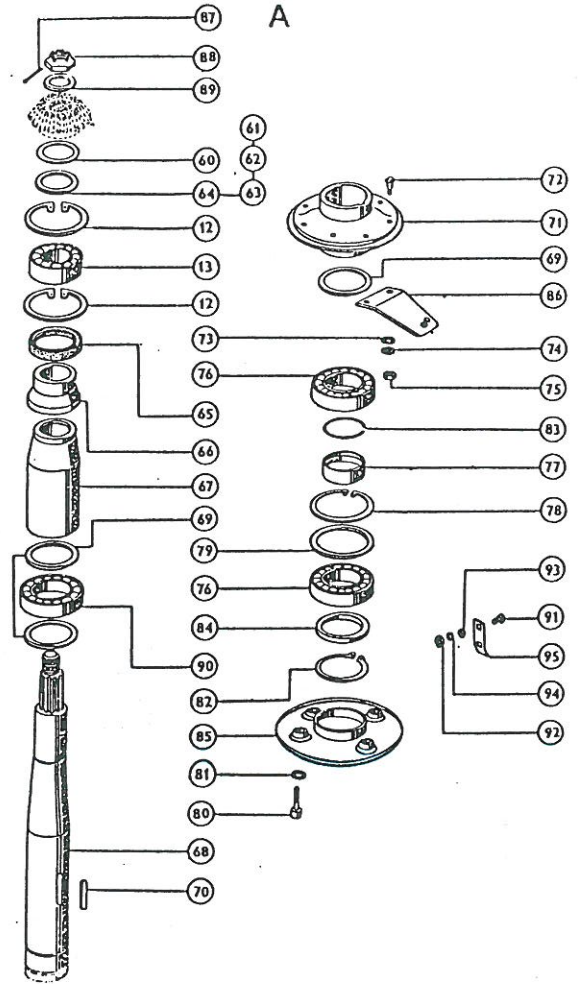
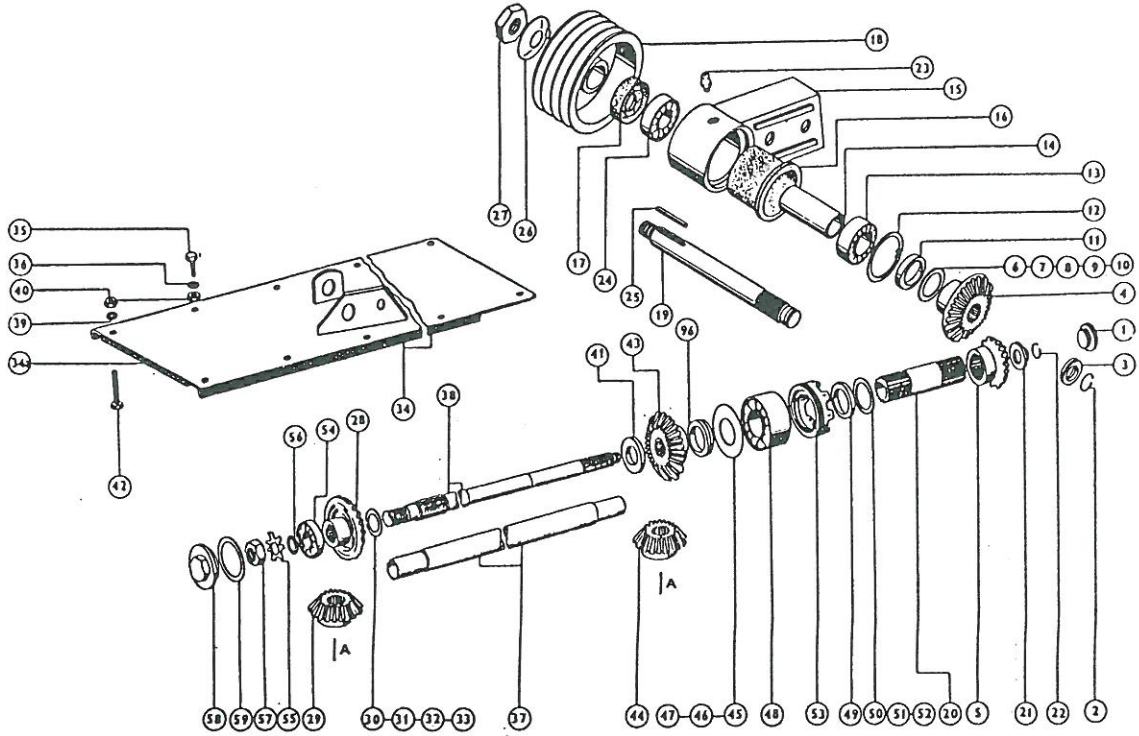
C

Pos.no. Pos.nr.	Part no. Varenr.	Pcs. Antal	Beskrivelse	Description	Remarks Bemærkninger
1	532938511112	1	Hus	Drive tube assembly	
2	532138120512	1	Aksel	Shaft	
3	324162085900	2	Leje	Bearing	UR 6208 A
4	532138472182	2	Bøsning	Lid	
5	273529010703	1	Pakningsring	Sealing ring gufero	40 x 80 x 13
6	311733100800	1	Låsering	Retaining ring	80
7	532095202682	1	Trykring	Thrust ring	
8	273521204030	1	Tætningsring	Sealing ring gufero	60 x 80 x 13
9	532094200222	1	Koblingshus	Clutch casing	
10	532195220032	1	Nav	Hub of the pulley	
11	532193100282	3	Valse	Roller	
12	315114407660	3	Fjeder	Spring	1,6 x 14,1 x 34 x 8½
13	532136200022	1	Koblingshus	Clutch body	
14	532192200222	1	Skive	Washer	
15	311214000163	1	Skive	Washer	16
16	309203001628	1	Bolt	Bolt	M16 x 50
17	722923110000	1	Pakningsring	Sealing ring	10 x 14
18	425110101379	1	Hoved	Head	10 x 1
19	532114420462	1	Skærm	Cover	
20	532098160102	2	Aksel	Pin	
21	532092450161	2	Sikringsselement	Safety element	SP 9-060
22	532105480182	2	Kæde	Chain	
23	548727941413	1	Ring	Ring	30
24	309003001018	2	Bolt	Bolt	M10 x 25
25	311214011102	2	Skive	Washer	10
26	311100100100	2	Møtrik	Nut	M10



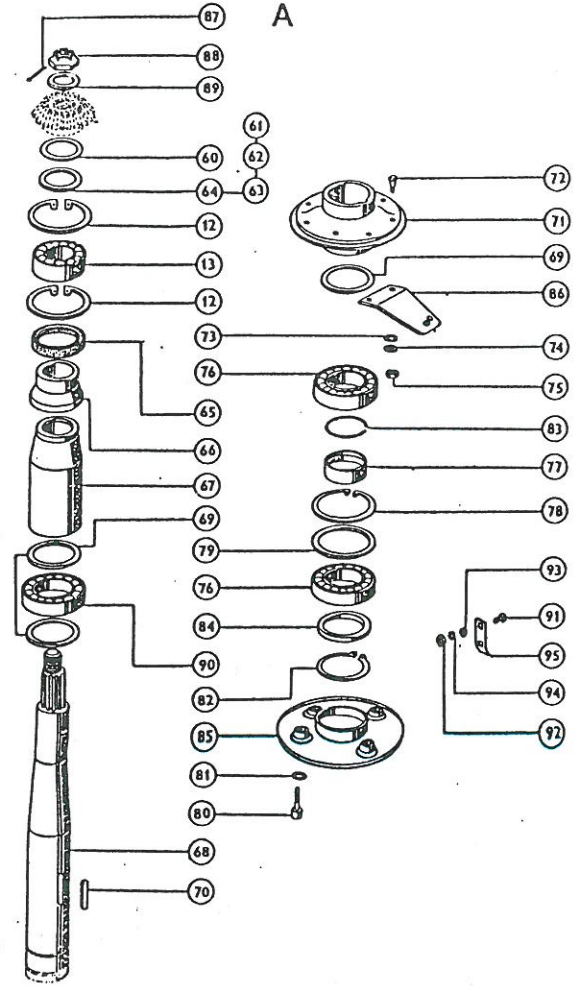
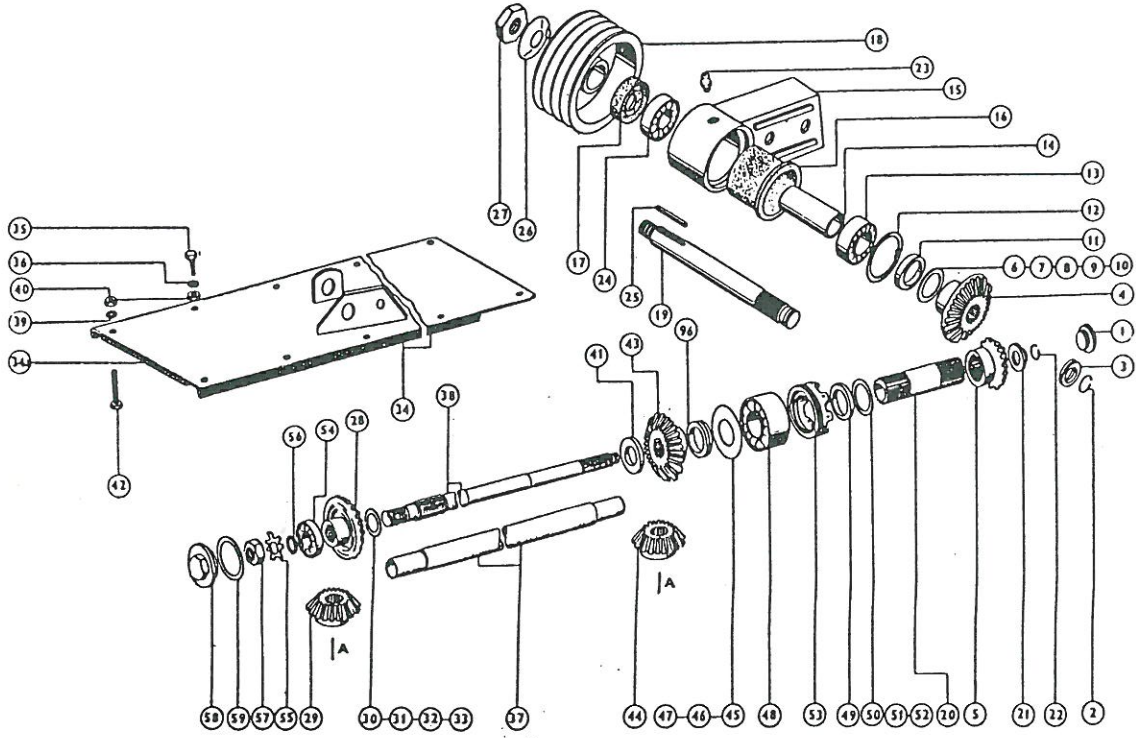
D

Pos.no.	Part no.	Pcs.	Description	Remarks	
Pos.nr.	Varenr.	Antal	Beskrivelse	Bemærkninger	
1	532985371112	1	Afskærmningsramme	Guard frame	
2	532985371122	1	Rammestykke	Frame piece	
3	532113401592	1	Holder I	Holder	
4	532113401602	1	Holder I	Holder	
5	309003001018	4	Bolt	Bolt	M10 x 25
6	311214011102	4	Skive	Washer	10
7	311100100100	4	Møtrik	Nut	M10
8	532019424482	1	Venstre plade	Left guard	
9	532019424472	1	Skærm	Cover	
10	532019424492	1	Højre plade	Right guard	
11	309003141020	12	Bolt	Bolt	M10 x 30
12	532092202042	12	Skærm	Cover	11
13	311214011102	14	Skive	Washer	10
14	311100100100	14	Møtrik	Nut	M10
15	311210201105	4	Skive	Washer	10½
16	532015323602	1	Arm I	Arm I	
17	532015323612	1	Arm II	Arm II	
18	309003001018	2	Bolt	Bolt	M10 x 25
19	309003140818	10	Bolt	Bolt	M8 x 25
20	311210211084	10	Skive	Washer	8,4
21	311214011080	10	Skive	Washer	8
22	311100114080	10	Møtrik	Nut	M8
23	532113420432	1	Dugholder I	Canvas holder I	
24	532113420442	1	Dugholder II	Canvas holder II	
25	665393880801	1	Dug	Protection guard	



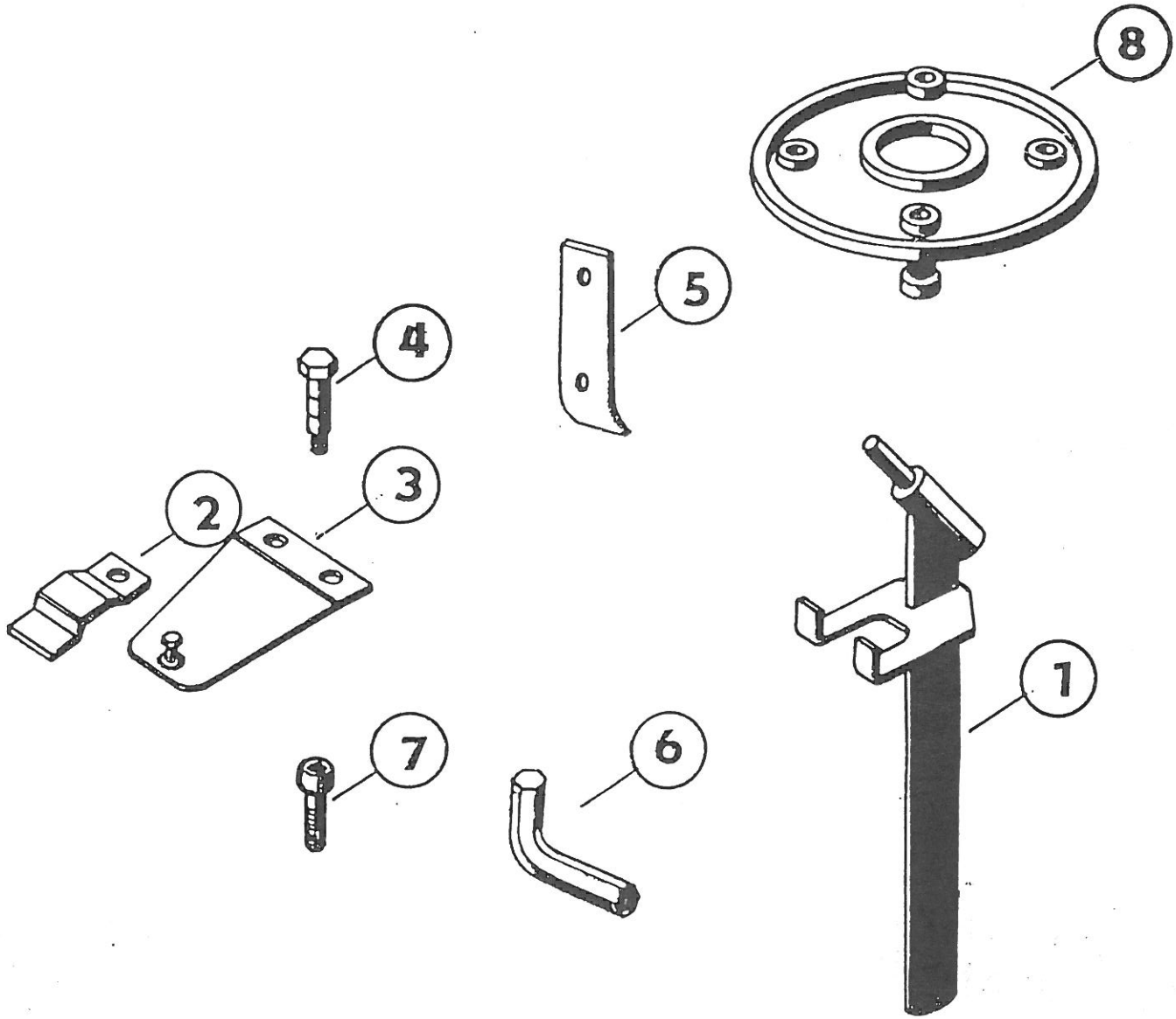
E

Pos.no. Pos.nr.	Part no. Varenr.	Pcs. Antal	Description Beskrivelse	Description	Remarks Bemærkninger
1	321841212054	2	Prop	Plug	
2	315817079850	1	Låsering 2	Retaining ring 2	
3	532095207432	1	Trykring	Thrust ring	
4	532031251012	1	Tandhjul	Bevel gear	Z-23
5	532031250972	1	Tandhjul	Bevel gear	Z-17
6	532092200292	1	Skive	Washer	
7	532092202562	1	Skive I	Washer I	
8	532092202572	1	Skive	Washer	0,8
9	532092202622	1	Skive	Washer	0,5
10	532092202502	2	Skive	Washer	0,2
11	532095207822	1	Trykring	Thrust ring	
12	311733100720	5	Låsering	Retaining ring	72
13	324232070000	3	Leje	Bearing	UR 3207 C
14	532095207452	1	Afstandsør	Spacing tube	
15	532950364972	1	Arm I	Arm I	
16	532194211152	1	Kappe	Casing I	
17	273521208470	1	Pakningsring	Sealing ring gufero	50 x 72 x 12
18	532133220032	1	Trisse	Pulley	
19	532093121282	1	Aksel	Shaft	
20	532095207552	1	Kappe	Casing	
21	532095207562	1	Trykring	Thrust ring	
22	315817079840	1	Låsering	Retaining ring 2	
23	425113101369	1	Nippel	Heth	KM 10 x 1
24	324162070100	1	Leje	Bearing	UR 6207 A
25	532195328332	1	Fjeder	Spring	10 x 8 x 50
26	532092470012	1	Låsering	Retaining washer	
27	311120370300	1	Møtrik	Nut	M30 x 2
28	532931250042	1	Gear	Bevel gear	Z-23
29	532031250982	1	Gear	Bevel gear	Z-17
30	532092201942	2	Afstandsplade	Distance plate	0,2
31	532092201952	1	Afstandsplade	Distance plate	0,5
32	532092201972	1	Afstandsplade	Distance plate	0,5
33	532092201982	1	Afstandsplade	Distance plate	1
34	532950364022	1	Låg med tætning	Lid with sealing	
34A	532062301052	2	Tætning	Casing sealing II	
35	309503141016	16	Bolt	Bolt	M10 x 20
36	311214011102	16	Skive	Washer	10
37	532112470252	1	Afstandsør	Spacing tube	
38	532138120792	1	Aksel	Shaft	
39	311210211105	4	Skive	Washer	10½
40	311150114100	20	Møtrik	Nut	M10
41	532095207572	1	Trykring	Thrust ring	
42	309503141028	4	Bolt	Bolt	M10 x 50
43	532031251002	1	Tandhjul	Bevel gear	Z-23
44	532031250982	1	Tandhjul	Bevel gear	Z-17
45	532093202662	2	Skive	Washer	0,2
46	532092202632	1	Skive	Washer	0,5
47	532092202642	1	Skive	Washer	0,8
48	324232084800	1	Leje	Bearing	UR 3208 C
49	532095208422	1	Ring II	Ring II	
50	532092202602	2	Skive	Washer	0,2
51	532092202592	1	Skive	Washer	0,5



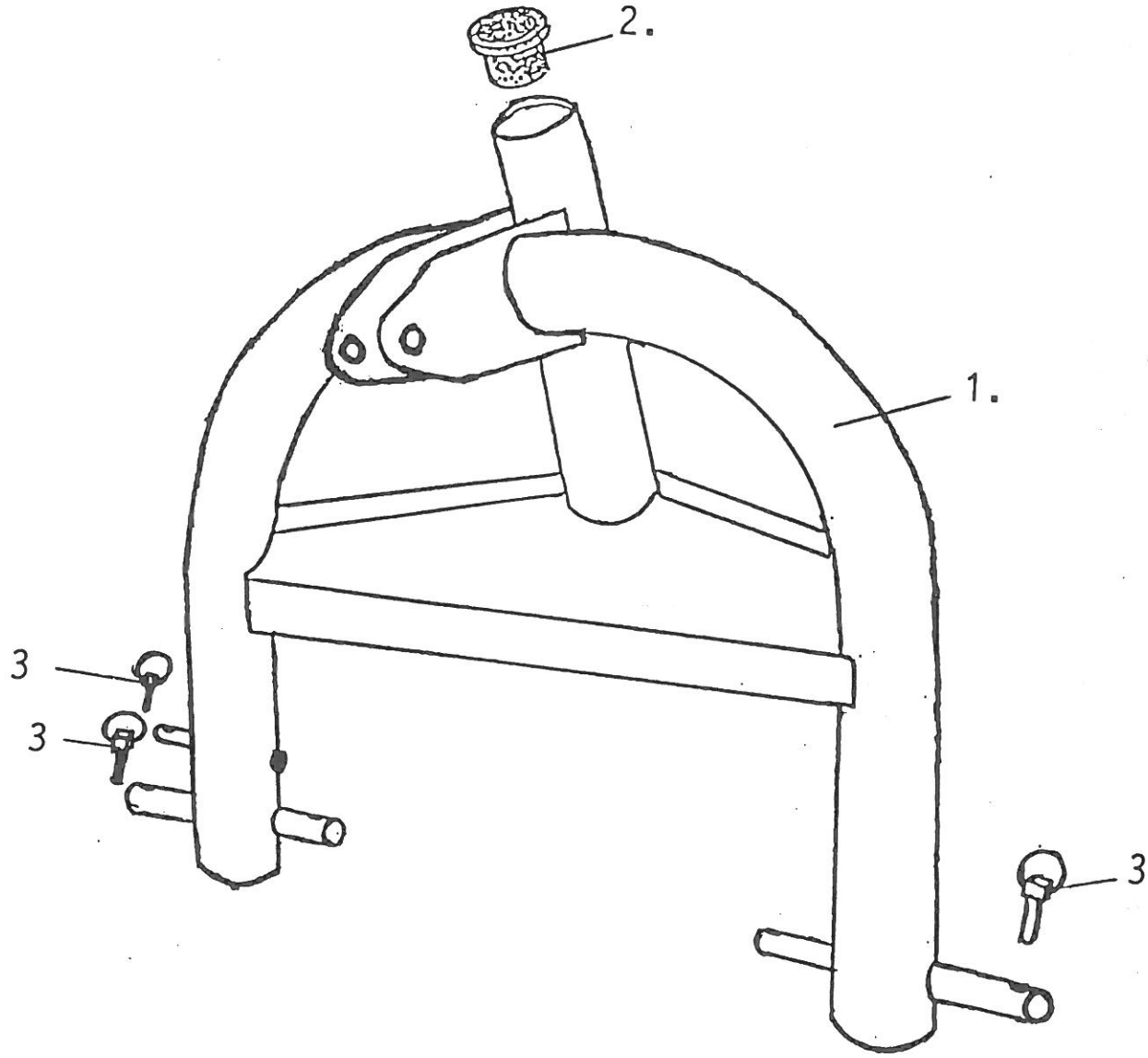
E

Pos.no. Pos.nr.	Part no. Varenr.	Pcs. Antal	Description Beskrivelse	Description	Remarks Bemærkninger
52	532092202582	1	Skive	Washer	0,8
53	532049520402	1	Møtrik	Nut	
54	324163055900	1	Leje	Bearing	UR 6305 A
55	532092470042	1	Låseskive	Retaining washer	
56	311210202105	1	Skive	Washer	B25
57	311150111240	1	Møtrik	Nut	M24 x 1,5
58	532098670562	1	Skærm	Lid	
59	532096200512	1	Pakning	Sealing	
60	532092202682	2	Skive	Washer	5
61	532092202762	4	Skive	Washer	0,2
62	532092202532	2	Skive	Washer	0,5
63	532092202522	2	Skive	Washer	0,8
64	532092202772	2	Skive	Washer	1
65	273521014903	2	Pakningsring	Sealing ring gufero	50 x 70 x 12
66	532095250062	2	Afstandsring	Spacer	
67	532013470262	2	Slange	Tube	
68	532138150012	2	Rotoraksel	Drum shaft	
69	532092202422	6	Afstandsplade	Distance plate	
70	532195608192	2	Fjeder	Spring	14 x 9 x 69
71	532950220032	2	Nav II	Hub II	
72	309599307176	12	Bolt	Bolt	M16 x 47
73	532192301572	6	Skive	Washer	
74	532092301522	6	Skive	Washer	
75	311150100160	12	Møtrik	Nut	M16
76	324163100220	4	Leje	Bearing	UR 6310 A
77	532095207382	2	Ring	Ring	
78	311733101100	2	Låsering	Retaining ring	
79	532995200012	2	Ring	Ring	
80	309543141222	8	Bolt	Bolt	M12 x 35
81	311214001120	8	Skive	Washer	12
82	311733000500	2	Låsering	Retaining ring	50
83	315817088210	2	Låsering	Retaining ring	2
84	532192200092	2	Skive	Washer	
85	532939100012	2	Skiveplade	Disk plate	
86	532950364012	6	Knivholder	Knives holder	
87	311318105045	2	Split	Split pin	5 x 45
88	311150111240	2	Møtrik	Nut	M24 x 1,5
89	532092202672	2	Ring	Ring	2
90	324162105920	2	Leje	Bearing	UR 6210 A
91	309019140614	8	Bolt	Bolt	M6 x 16
92	311100114060	8	Møtrik	Nut	M6
93	311210211064	8	Skive	Washer	6,4
94	311214011060	8	Skive	Washer	6
95	532029401072	4	Beslag	Strike bar	
96	532095207522	1	Ring	Ring	



F

Pos.no.	Part no.	Pcs.	Description	Remarks	
Pos.nr.	Varenr.	Antal	Beskrivelse	Bemærkninger	
1	532950364042		Specialnøgle	Mounting lever	
2	21001		Kniv	Knife	
3	532950364012		Knivholder	Knives holder	
4	309599307176		Bolt	Bolt	M16 x 47
5	532029401072		Beslag	Strike bar	
6	413324001000		Umbrako	Wrench	10
7	309543141222		Bolt	Bolt	M12 x 35
8	532986750022		Aftræksholder	Remover	



G

Pos.no. Pos.nr.	Part no. Varenr.	Pcs. Antal	Beskrivelse	Description	Remarks Bemærkninger
1	21000	1	Trepunktsophæng	Three-point lift	
2	321841212024	2	Prop	Casing	
3	1210100	3	Sikringssplit	Safety pin	10 mm

Part no. Page no. Varenr. Sidenr.	Part no. Page no. Varenr. Sidenr.	Part no. Page no. Varenr. Sidenr.	Part no. Page no. Varenr. Sidenr.
21000 23	315114407660 ... 13	532092202572 ... 17	532137501062 9
21001 21	315114513280 9	532092202582 ... 19	532138120512 ... 13
21002 9	315114513750 7	532092202592 ... 19	532138120792 ... 17
21003 9	315817079840 ... 17	532092202602 ... 19	532138150012 ... 19
1210100 23	315817079850 ... 17	532092202622 ... 17	532138472182 ... 13
273521014903 ... 19	315817088210 ... 19	532092202632 ... 17	532139261162 ... 11
273521204030 ... 13	315836011350 9	532092202642 ... 17	532192200092 ... 19
273521208470 ... 17	321347130030 ... 11	532092202672 ... 19	532192200222 ... 13
273529010703 ... 13	321841212024 ... 23	532092202682 ... 19	532192203802 9
309003000615 7	321841212054 ... 17	532092202762 ... 19	532192301572 ... 19
309003001018 13+15	324162070100 ... 17	532092202772 ... 19	532192301642 9
309003140614 7	324162085900 ... 13	532092202782 9	532193100282 ... 13
309003140818 ... 15	324162105920 ... 19	532092301492 7	532194211152 ... 17
309003141020 ... 15	324163055900 ... 19	532092301502 7	532195220032 ... 13
309019140614 ... 19	324163100220 ... 19	532092301522 ... 19	532195328332 ... 17
309101001660 9	324232070000 ... 17	532092302682 7	532195608192 ... 19
309201001026 9	324232084800 ... 17	532092302692 7	532927501092 9
309203001628 ... 13	413324001000 ... 21	532092302702 7	532931250042 ... 17
309501001040 7	425110101379 ... 13	532092302712 7	532933250022 7
309503001624 7	425111101369 ... 11	532092450161 ... 13	532937500092 9
309503141016 ... 17	425113101369 ... 17	532092470012 ... 17	532938511112 ... 13
309503141028 ... 17	532013420922 ... 11	532092470042 ... 19	532939100012 ... 19
309543141222 19+21	532013470262 ... 19	532093101002 7	532950220032 ... 19
309599307176 19+21	532014401012 7	532093101052 7	532950360562 7
311100100100 7+13+	532014411752 9	532093108062 7	532950360582 9
..... 15	532014411762 9	532093108072 7	532950360782 9
311100114060 ... 19	532015323602 ... 15	532093108092 .. 7+9	532950360792 7
311100114080 ... 15	532015323612 ... 15	532093108102 7	532950360862 9
311120100100 9	532015600222 9	532093108122 7	532950363912 7
311120100160 7	532019400642 9	532093121282 ... 17	532950364012 19+21
311120300160 9	532019424472 ... 15	532093202662 ... 17	532950364022 ... 17
311120370300 ... 17	532019424482 ... 15	532094200222 ... 13	532950364032 7
311150100100 7	532019424492 ... 15	532095202632 7	532950364042 ... 21
311150100160 ... 19	532019470092 ... 11	532095202682 ... 13	532950364052 7
311150111240 ... 19	532019470102 ... 11	532095202692 7	532950364972 ... 17
311150114100 ... 17	532029401072 19+21	532095207382 ... 19	532950365362 7
311210201105 . 9+15	532029470232 7	532095207432 ... 17	532950371412 ... 11
311210202105 ... 19	532031250972 ... 17	532095207452 ... 17	532950471211 ... 11
311210211064 ... 19	532031250982 ... 17	532095207522 ... 19	532950471352 ... 11
311210211084 ... 15	532031251002 ... 17	532095207552 ... 17	532985371112 ... 15
311210211105 ... 17	532031251012 ... 17	532095207562 ... 17	532985371122 ... 15
311212100180 .. 7+9	532049520402 ... 19	532095207572 ... 17	532985470062 ... 11
311212101220 7	532049530122 7	532095207672 7	532986750022 ... 21
311212701110 7	532059320092 7	532095207822 ... 17	532990160032 7
311214000163 . 7+13	532059320262 7	532095208422 ... 19	532995200012 ... 19
311214001120 ... 19	532062301052 ... 17	532095250062 ... 19	532995371112 ... 15
311214011060 ... 19	532069160072 7	532096200512 ... 19	548727941413 ... 13
311214011061 9	532069520152 9	532097462212 7	665393880801 ... 15
311214011080 ... 15	532092200292 ... 17	532098160102 ... 13	722923110000 11+13
311214011102 . 7+13	532092201452 9	532098670562 ... 19	
..... 15+17	532092201942 ... 17	532105480182 ... 13	
311318104025 .. 7+9	532092201952 ... 17	532112470252 ... 17	
311318105028 7	532092201972 ... 17	532113321172 7	
311318105045 ... 19	532092201982 ... 17	532113401592 ... 15	
311318108050 7	532092202022 9	532113401602 ... 15	
311318108063 9	532092202042 . 7+15	532113420432 ... 15	
311733000500 ... 19	532092202422 ... 19	532113420442 ... 15	
311733000600 9	532092202502 ... 17	532114411132 9	
311733100720 ... 17	532092202522 ... 19	532114420462 ... 13	
311733100800 ... 13	532092202532 ... 19	532133220032 ... 17	
311733101100 ... 19	532092202562 ... 17	532136200022 ... 13	